

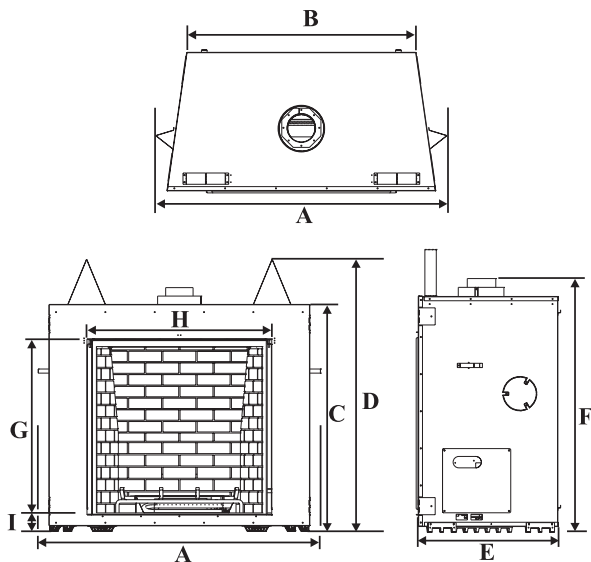
L676-1 Gas Fireplace

Model	L676-NG1	L676-LP1
Fuel Type	Natural Gas	Propane
Minimum Supply Pressure	5" W.C. (1.25 kPa)	12" W.C. (2.98 kPa)
Manifold Pressure - High	3.5" W.C. (0.87 kPa)	10" W.C. (2.49 kPa)
Manifold Pressure - Low	1.6" W.C. (0.40 kPa)	6.4" W.C. (1.59 kPa)
Orifice Size	#33 DMS	#51 DMS
Minimum Input Altitude 0-4500 ft. (0-1372m)	22,000 BTU/h (6.45 kW)	25,000 BTU/h (7.33 kW)
Maximum Input Altitude 0-4500 ft. (0-1372m)	33,000 BTU/h (9.67 kW)	31,500 BTU/h (9.23 kW)
Vent Sizing	5" Inner / 8" Outer	5" Inner / 8" Outer

Approved Venting Systems	
Flex Vent Systems:	FPI AstroCap™ Flex Vent
Rigid Pipe Vent Systems:	Simpson Direct Vent Pro® Selkirk Direct-Temp™ Metal-Fab® Sure Seal

Unit Dimensions:

Unit Dimensions	Description	L676-1
A	Firebox Width w/ Standoff	42-1/2" (1080mm)
B	Rear Firebox Width	33-1/8" (841mm)
C	Firebox Height	37-3/8" (949mm)
D	Height w/ Standoff	45-5/8" (1159mm)
E	Unit Depth	24-1/2" (622mm)
F	Height to Vent	40-3/8" (1026mm)
G	Fireplace Opening Height	28-1/16" (713mm)
H	Fireplace Opening Width	29-5/8" (751mm)
I	Height to Fireplace Opening	2" (51mm)



This manual is intended to be a Sales Reference Guide only. Do NOT use for actual framing and installation of any unit. Some specifications may change without notice. You must use the actual manual for exact installation specifications.

WARNING

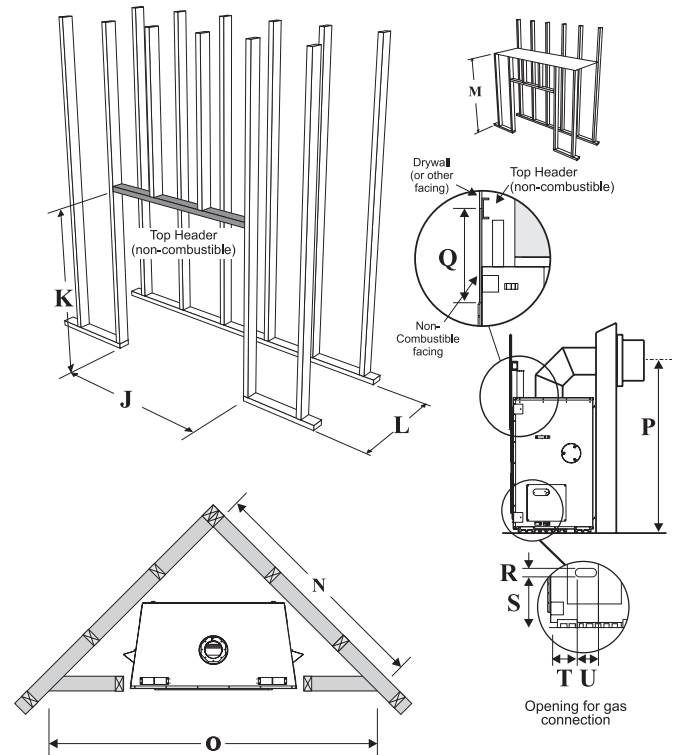
Failure to maintain required clearances is a major cause of chimney related fires. Installation of this fireplace must comply with these clearances

Please note: Due to ongoing product development, product appearance and specifications are subject to change without notice.

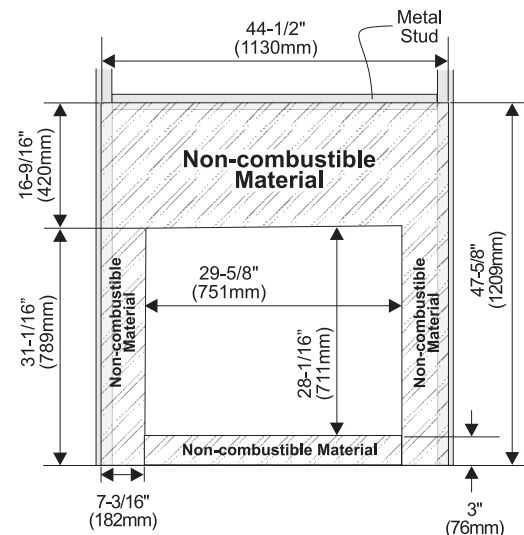
Framing Dimensions:

Framing Dimensions	Description	L676-1
J	Framing Width	43" (1092mm)
K***	Framing Height***	45-7/8" (1165mm)*** + Hearth
L	Framing Depth	25-3/4" (654mm)
M	Minimum Height to Combustibles	56-1/4" (1429mm)
N	Corner Wall Length	57-3/16" (1453mm)
O	Corner Facing Wall Width	80-13/16" (2052mm)
P	Vent Centerline Height	49-1/4" (1251mm)
Q	Non-combustible Facing Height	16-9/16" (421mm)
R	Gas Connection Opening Height	2" (51mm)
S	Gas Connection Height	11-1/4" (286mm)
T	Gas Connection Inset	5-3/4" (146mm)
U	Gas Connection Opening Width	5" (127mm)

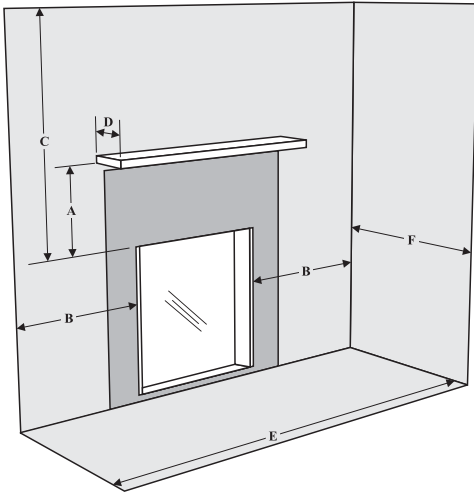
***Important: Framing height requires consideration of the hearth depth. Dimension K = K + the thickness of installed hearth.



Non-Combustible Requirements:

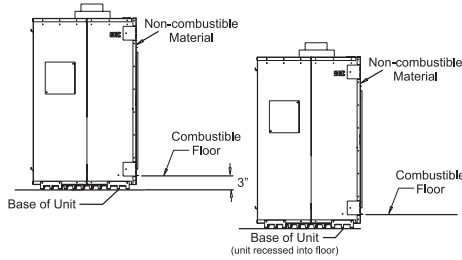


Clearance Requirements:



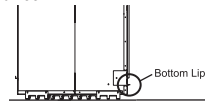
Finished Floor

The maximum height that combustible floor can be brought above the base of the unit is 3".



IMPORTANT NOTE

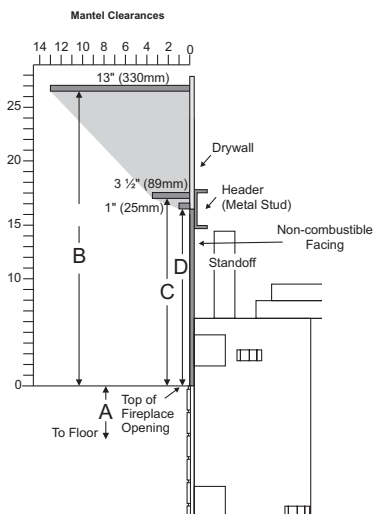
Combustible material can only be installed to the bottom lip of the fireplace as shown below. The finished floor must not come in contact with the front face of the fireplace. Non-combustible material must act as a barrier between the front face and finished floor.



Clearance:	Dimension	Measured From:
A: Mantel Height	16-1/2" (419mm)	Minimum
B: Sidewall	14-3/4" (375mm)	Side of fireplace opening
C: Ceiling	52" (1321mm)	Top of fireplace opening
D: Mantel Depth	13" (330mm)	Maximum
E: Alcove Width	84" (2134mm)	Sidewall to Sidewall (Minimum)
F: Alcove Depth	36" (914mm)	Front to back wall (Maximum)

Combustible Mantels

Because of the extreme heat this fireplace emits, the mantel clearances are critical. Combustible mantel clearances from top of the front facing are shown in the diagram below. Mantel may be installed anywhere in the shaded area or higher.



Mantel Clearances	From Top of Fireplace Opening
A	31-1/16"
B	26-1/2"
C	17-1/2"
D	16-1/2"

Note:

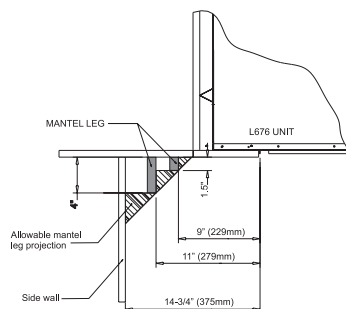
A non-combustible mantel may be installed at a lower height if the framing is made of metal studs covered with a non-combustible board.

Ensure the paint that is used on the mantel and the facing is "heat resistant" or the paint may discolour.

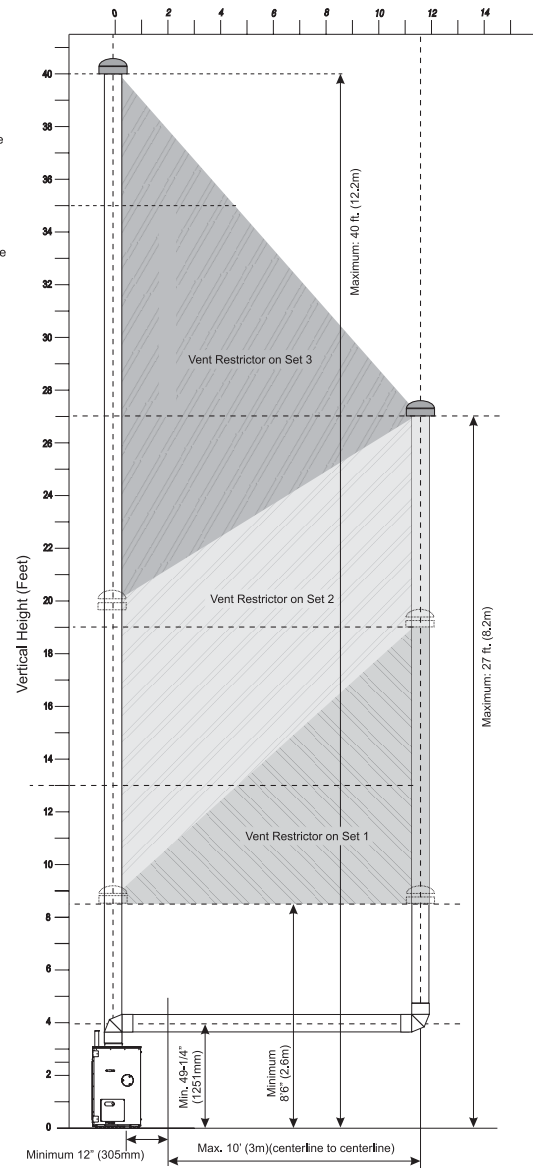
Mantel Leg Clearances

Combustible mantel leg clearances as per diagram.

Clearances are from the finished edge of the fireplace opening.



Vertical Terminations:



Horizontal Terminations:

